

P500



The PMSA P500 counter current rapid pan mixer is available in an open and stationary design.

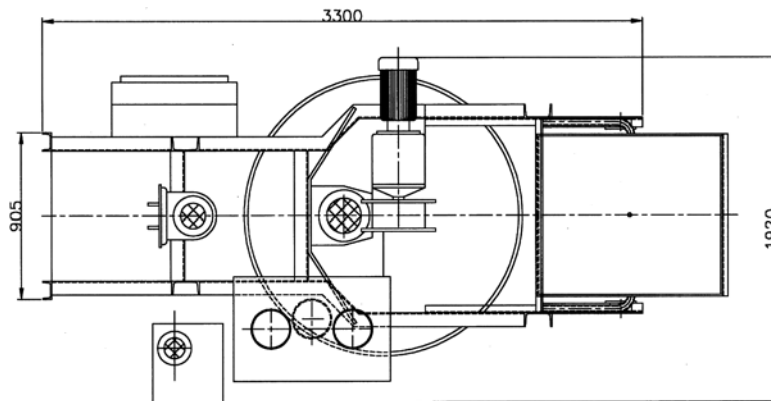
Features:

- Up to 600 litres / 700kg dry filling capacity
- Mixing pan carried on a sealed ball bearing turntable
- Driven in a clockwise direction by cut gear transmission and 4kW geared motor drive
- The pan floor and wall are fitted with easily replaced hard wearing lined segments or optional high alumina ceramic tiles and tungsten carbide coated mixing arms and tools
- Electro-hydraulic discharge gate operation with 1.1kW power
- Eccentrically mounted twin bladed mixing star driven in an anti-clockwise direction by overhead 7,5kW geared motor drive
- Parts in contact with the mix are easily replaced
- Central floor discharges are either operated by a hand-hydraulic or by electro-hydraulic power pack
- Suitable for automatic operation and remote control
- 500 litre tilting loader skip
- 4kW winch drive with flanged on electro-magnetic brake
- Upper and lower limit switches and upper emergency limit switch
- Complete with switch panels wired to terminals
- Supplied complete with batching plants
- Optional: High speed agitator
- Optional: Mixer mounted microwave moisture sensing equipment for automatic control of the moisture content in the mix

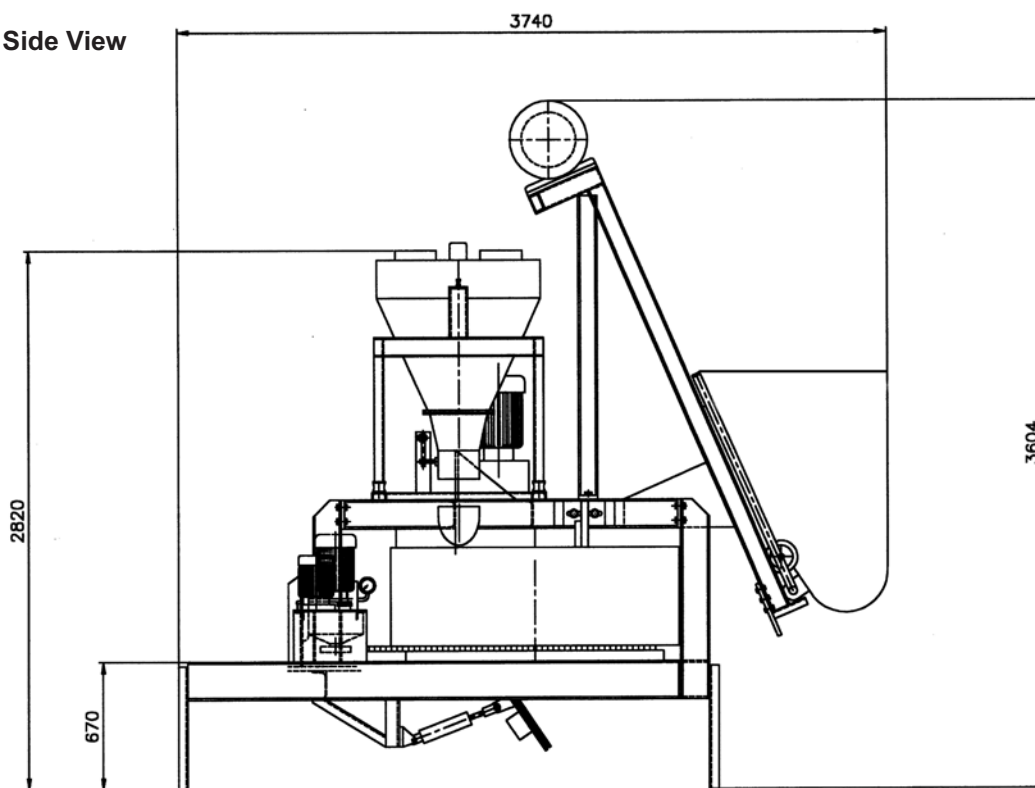


Granite Street, Jet Park
Boksburg, South Africa
Tel: 086100-PMSA (086100-7672)
Tel: +27 (0) 11 397 3754
Fax: +27 (0) 11 397 4721
Website: www.panmixers.co.za
E-mail: sales@panmixers.co.za

Top View



Side View



Machine Specifications:	P500
Pan Diameter:	1 500mm
Pan Wall Height:	500mm
Dry Filling Capacity:	600 litres
Pan Drive	4kW
Star Drive	7,5kW
Mixer with Loader	2 200kg
Hourly output in concrete (30 cycles / hour)	13.5m ³
Maximum Batch Weight	700kg

NOTE: All equipment is manufactured by PMSA in South Africa. All work carries a 6-month guarantee against faulty material and workmanship. Our professional and experienced technical support team will provide you with the assistance you require; a comprehensive spare parts facility enables immediate dispatch worldwide.